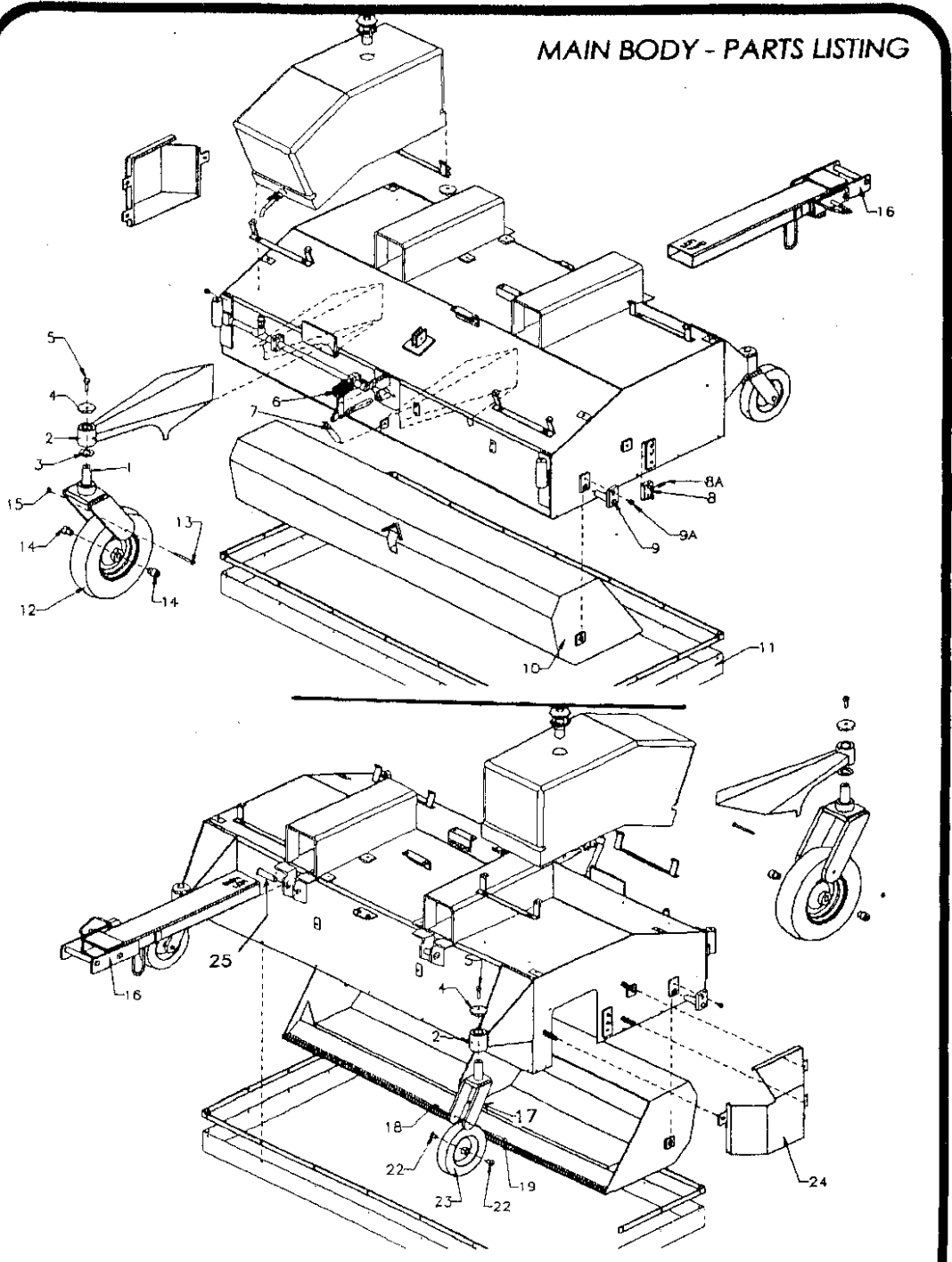


MAIN BODY - PARTS LISTING



**MULTI-SWEEP
MODEL 425**



MALLOW ROAD ENGINEERING
MALLOW ROAD, DRUMCUMMER, KANTURK Co. CORK, IRELAND
TEL: 00 353 29 56102 FAX: 00 353 29 56201
email: stores@multisweep.com

425 MAIN BODY – PARTS LIST

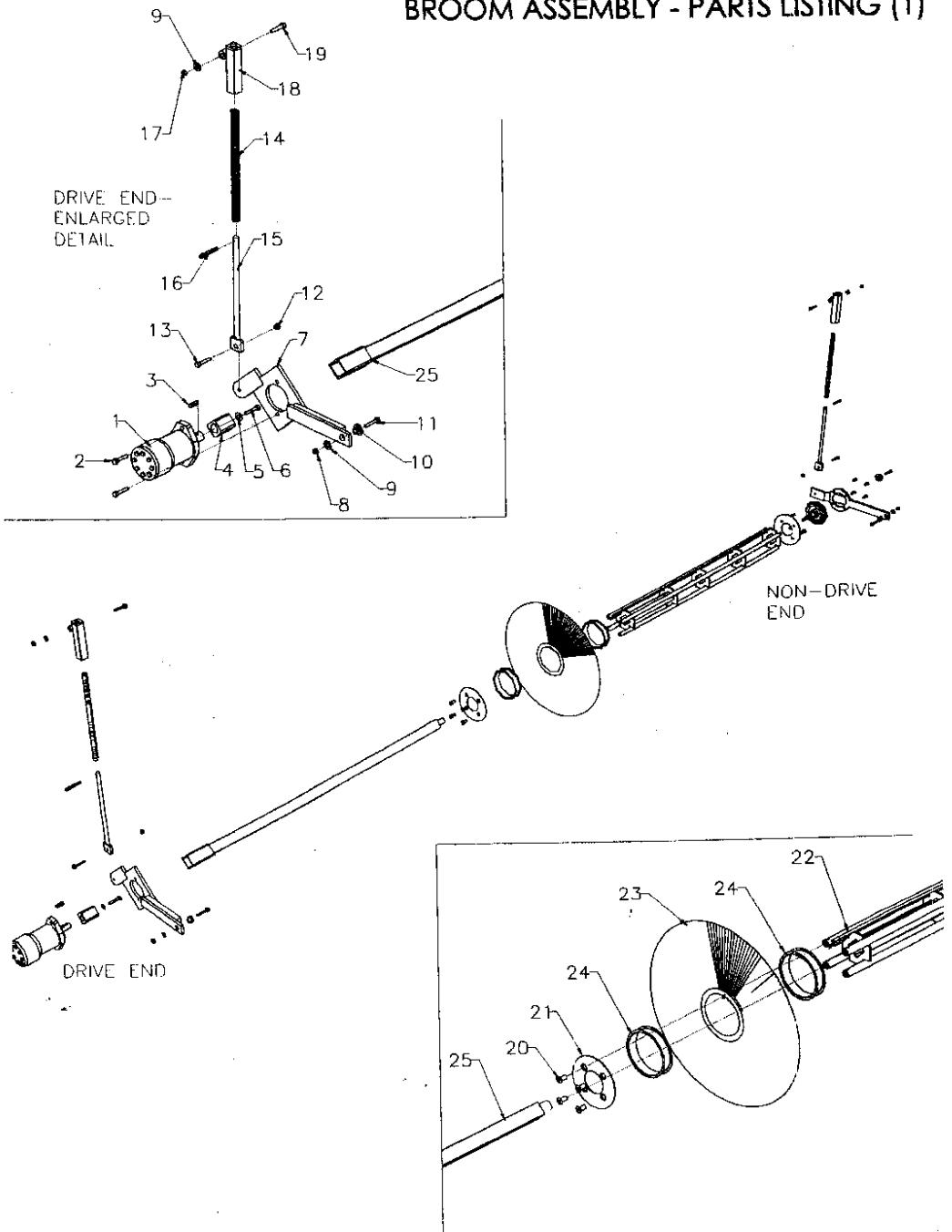
ITEM	PART NO.	DESCRIPTION	QTY/MC
1	V109	KINGPIN, FRONT	2
2	V182	BRASS BUSH (UPPER + LOWER)	2/kingpin
3	V181	BRASS WASHER	4
4	V179	RETAINING CAP	4
5	F208	BOLT	4
6	V216	TRIP LEVER PIVOT BRACKET	1
6A	V217	TRIP LEVER SLIDING LOCK PIN	1
7	F115	SPRING	1
8	V183	ADJUSTMENT BLOCK, FOR BROOM	2
8A	F135	R-CLIP	4
9	V124	HINGE PIN	2
9A	F102	BOLT (REFIT WITH STUDLOCK)	2
10	V218	DEBRIS CONTAINER	1
11	B120	DUST APRON	1
12	F194	FRONT WHEEL + RIM (+ BEARINGS)	2
12A	F145	RUBBER TYRE – PRESS ON	2
12B	F175	WHEEL CENTRE BEARING	4
13	F206	AXLE BOLT	2
14	F200	REDUCTION BUSH	4
15	F203	NUT	2
16	V194	FORK LOCK CATCH ASSY.	2
16A	V205	SPRING (FOR LOCK CATCH)	2
16B	F162	THREADED STUD (HOLDING SPRING)	2
16C	V198	PULL BRACKET L/H	2
16D	V199	PULL BRACKET R/H	2
17	V193	REAR KINGPIN	2
18	F101	LOCKNUT – REAR AXLE	2
19	F183	REAR AXLE BOLT	2
22	F144	REDUCTION BUSH	4
23	F142	REAR WHEEL + RIM	2
24	F169	MOTOR COVER, RIGHT SIDE FITTING	1
24A	V138	MOTOR COVER, LEFT SIDE FITTING	1
25	V150	RETAINING PIN	2
25A	V167	R-CLIP	2

MULTI-SWEEP
MODEL 425

MRE
MULTI SWEEP

MALLOW ROAD ENGINEERING
MALLOW ROAD, DROMCLUMMER, KANTURK Co. CORK, IRELAND.
TEL: 00 353 29 56102 FAX: 00 353 29 56201
email: stores@multisweep.com

BROOM ASSEMBLY - PARTS LISTING (1)

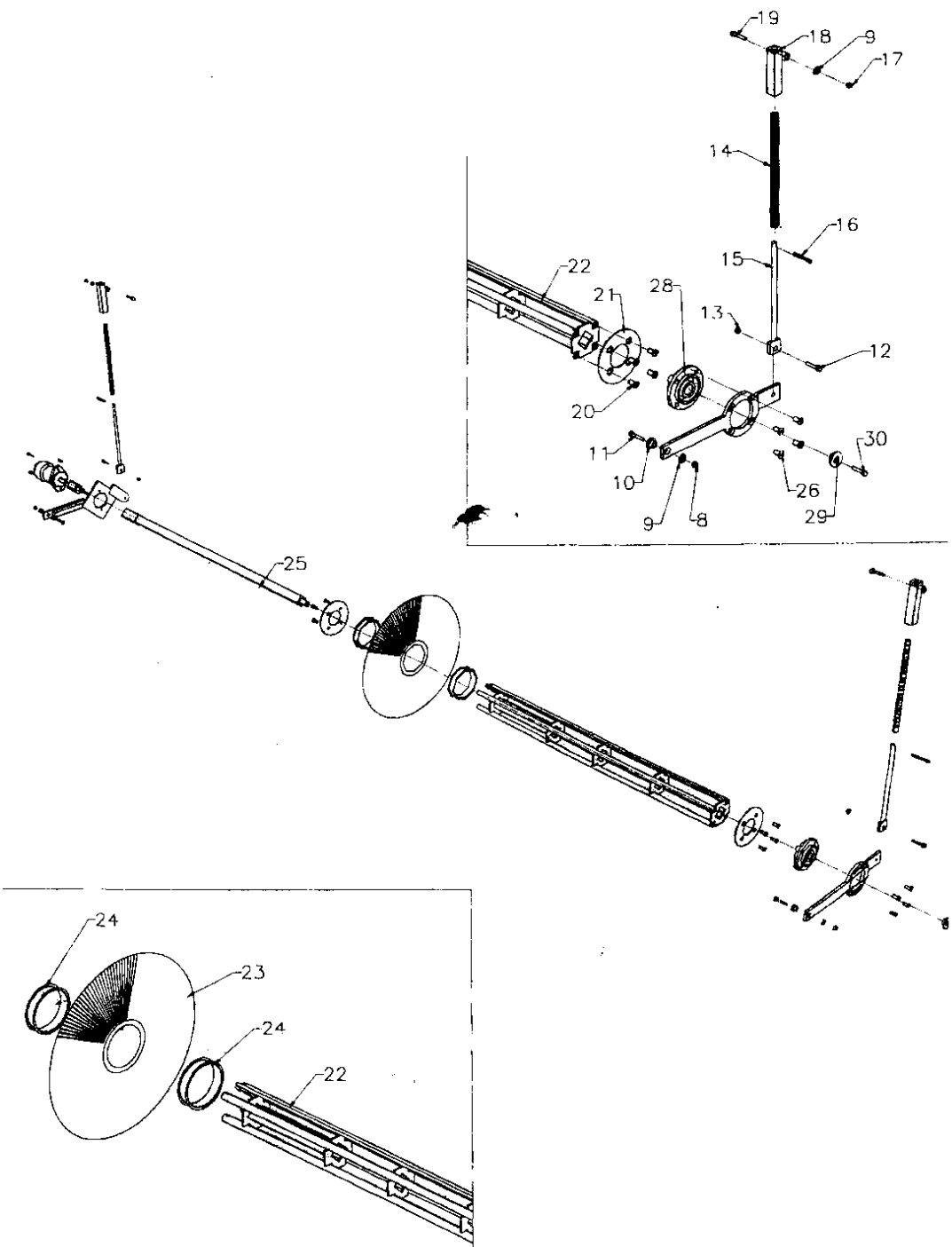


MULTI-SWEEP
MODEL 425



MALLOW ROAD ENGINEERING
MALLOW ROAD, DRUMCLINNER, KANTURK Co. CORK, IRELAND.
TEL: 00 353 29 56102 FAX: 00 353 29 56201
email: stores@multisweep.com

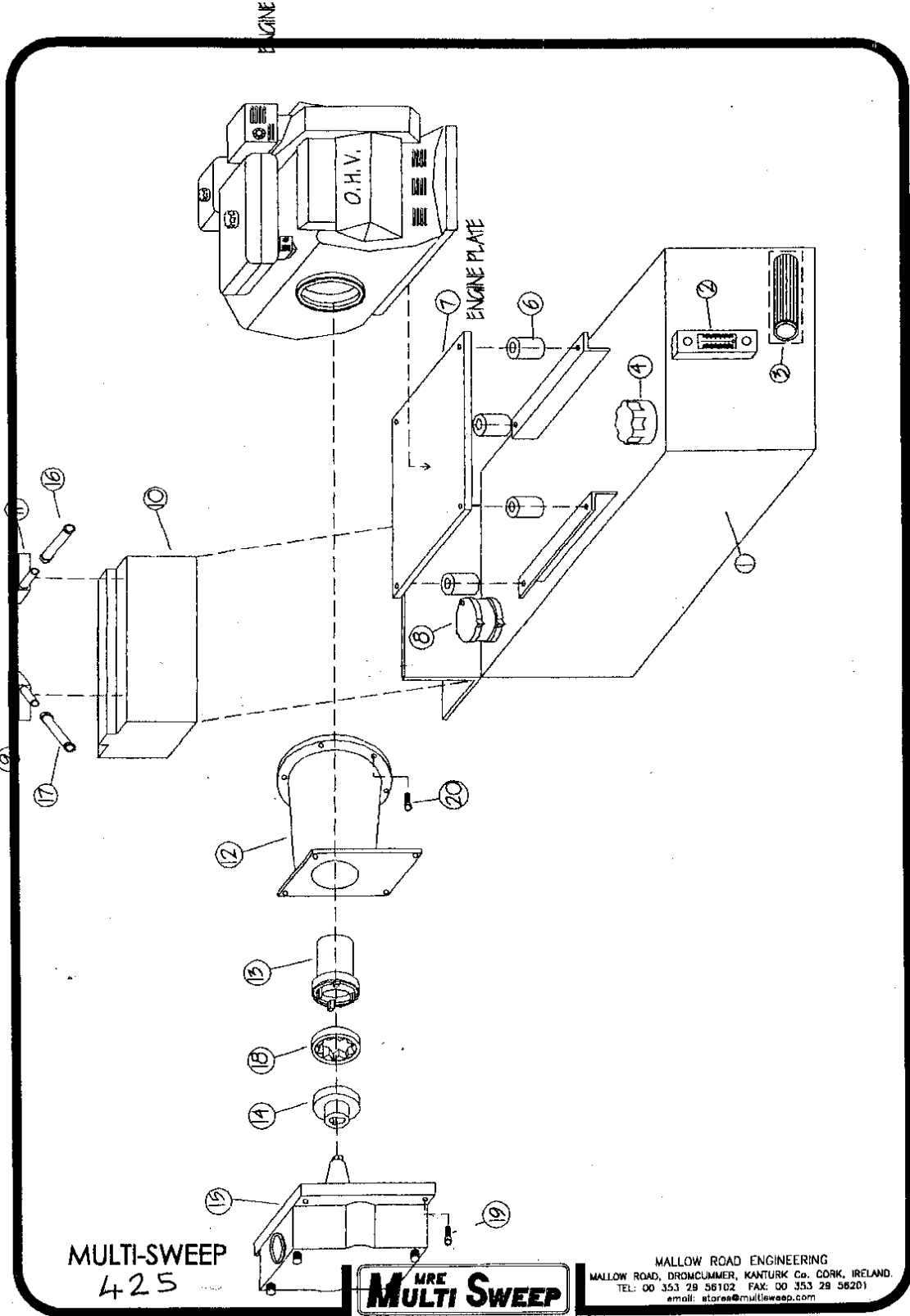
BROOM ASSEMBLY - PARTS LISTING (2)



MULTI-SWEEP
MODEL 425



MALLOW ROAD ENGINEERING
MALLOW ROAD, DROMOLUNGER, KANTURK Co. CORK, IRELAND.
TEL: 00 353 29 56102 FAX: 00 353 29 56201
email: stores@multisweep.com



POWERPACK COMPONENTS - PARTS LISTING

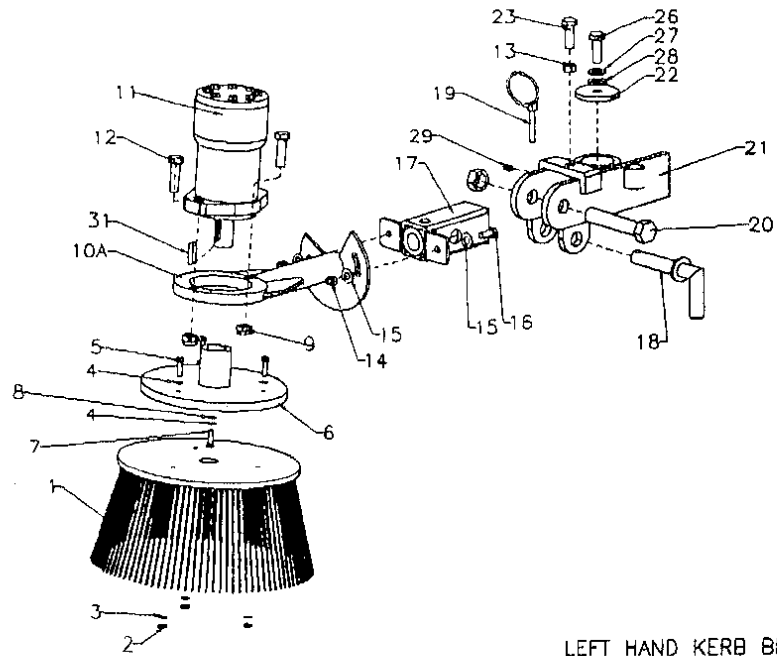
ITEM	PART No.	DESCRIPTION	QTY.
1	V101	RESERVOIR	1
2	H160	OIL LEVEL GAUGE	1
3	H161	SUCTION STRAINER	1
4	H162	FILLER CAP ASSEMBLY	1
6	F157	RUBBER MOUNT	4
7	V106	BASE PLATE - PETROL ENGINE	1
	V176	BASEPLATE - DIESEL ENGINE	1
8	H146	HYDRAULIC FILTER ASSEMBLY	1
8A	H159	FILTER ELEMENT	1
9	M117	TERMINAL COVER - BLACK	1
10	P102	BATTERY	1
11	M114	TERMINAL COVER - RED	1
12	V102	BELL HOUSING	1
13	H163	COUPLING	1
14	H137	COUPLING	1
15	H105	PUMP	1
16	M110	LEAD - LONG	1
17	M118	LEAD - SHORT	1
18	H138	RUBBER COUPLING	1
19	F190	BOLT	4
20	F130	BOLT	4

MULTI-SWEEP
MODEL 425

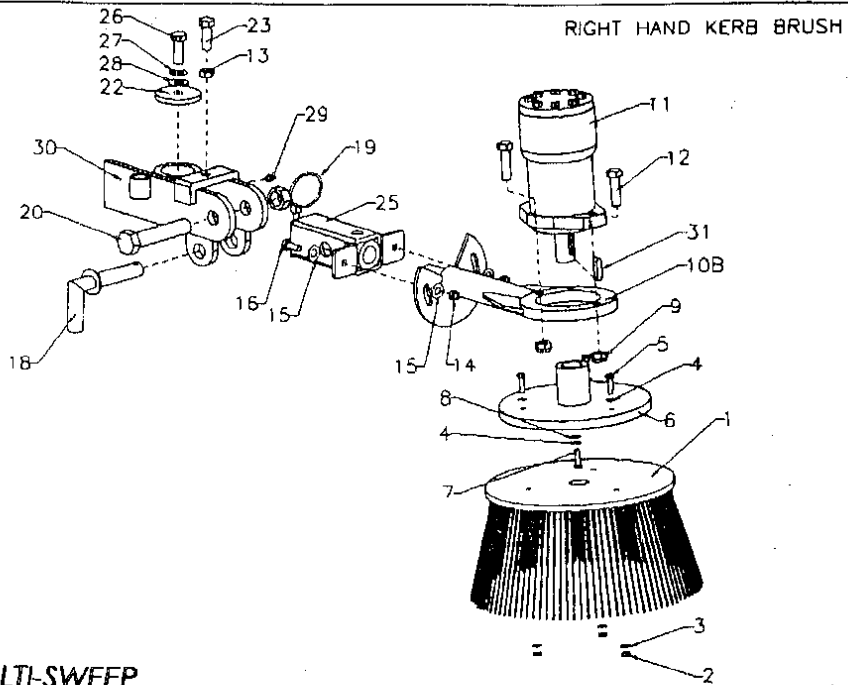
MRE
MULTI SWEEP

MALLOW ROAD ENGINEERING
MALLOW ROAD, DROMCUMMER, KANTURK Co. CORK, IRELAND.
TEL: 00 353 29 58102 FAX: 00 353 29 56201
email: stores@multisweep.com

KERB BRUSH - PARTS LISTING



LEFT HAND KERB BRUSH



RIGHT HAND KERB BRUSH

MULTI-SWEEP
425



MALLOW ROAD ENGINEERING
MALLOW ROAD, DROMCLUMMER, KANTURK Co. CORK, IRELAND.
TEL: 00 353 28 58102 FAX: 00 353 28 58201
email: store@maltisweep.com

SIDE CURB BRUSH

ITEM	PART NO.	DESCRIPTION	QTY.
1	B100	CURB BRUSH - POLY/WIRE MIX	1
1A	B100A	CURB BRUSH - ALL POLY	1
1B	B100C	CURB BRUSH - ALL WIRE	1
2	F116	LOCKNUT	3
3	F153	FLATWASHER	3
4	F121	SPRING WASHER	1
5	F118	BOLT	3
6	B131	BRUSH MOUNT DISC	1
7	F112	CENTRE BOLT - ONTO MOTOR	1
8	F220	FLAT WASHER	1
9	F101	NUT	2
10A	B132	MOTOR MOUNT ARM - L/H	1
10B	B119	MOTOR MOUNT ARM - R/H	1
11	H103	MOTOR	1
11A	H235	SEAL KIT - MOTOR	1
12	F103	BOLT	2
13	F211	ADJUSTER NUT	1
14	F114	NUT	2
15	F119	FLAT WASHER	2
16	F146	BOLT	2
17	B133	HINGE SOCKET - L/H	1
18	V213	PIN	1
19	V214	LYNCH PIN	1
20	F222	BOLT	1
21	B134	MOUNT SECTION - L/H	1
22	V111	RETAINING CAP	1
23	F100	BOLT	1
25	B136	HINGE SOCKET - R/H	1
26	F102	BOLT - FOR RETAINING CAP	1
27	F185	SPRING WASHER	1
28	F132	FLAT WASHER	1
29	F216	GREASE NIPPLE	1
30	B137	MOUNT SECTION - R/H	1
31	H179	SHAFT KEY (ON MOTOR DRIVE)	1

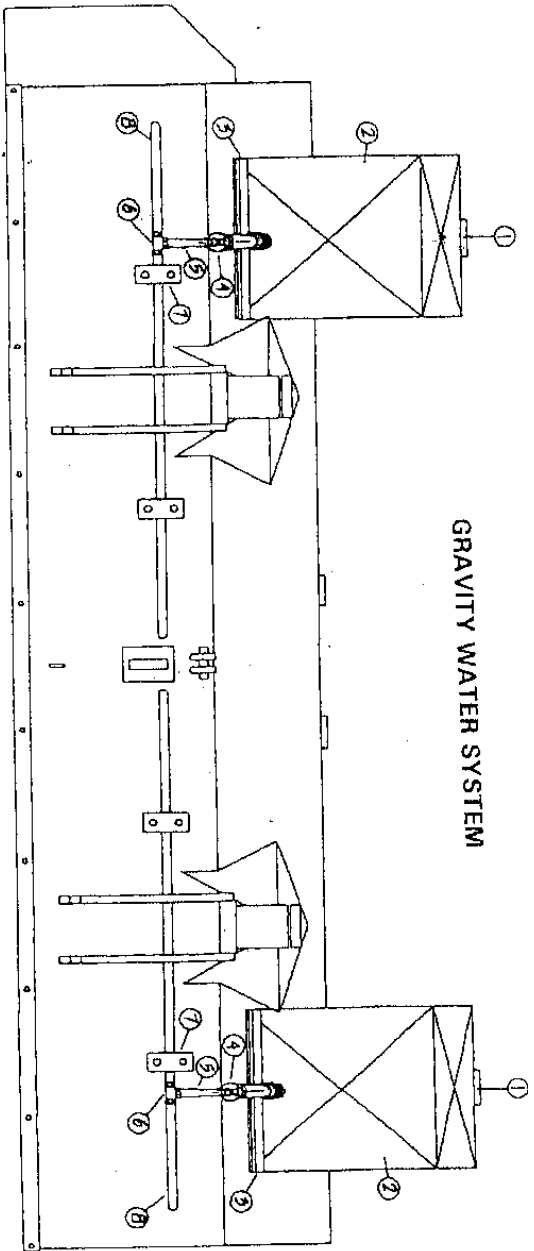
MULTI-SWEEP

425

MRE
MULTI SWEEP

MALLOW ROAD ENGINEERING
MALLOW ROAD, DROMCUMMER, KANTURK Co. CORK, IRELAND.
TEL: 00 353 28 56102 FAX: 00 353 28 56201
email: alroee@multisweep.com

GRAVITY WATER SYSTEM



Item	Part Number	Description	Quantity
1	W127	Filler Cap	2
2	W100	Water Tank	2
3	W113	Bracket	4
4	W145	Ball Valve	2
5	W123	Hose	2
6	W111	Pipe Clip	4
7	H228	Clamp Assy.	4
8	W146	Spraybar	2
9	W102	Hosetail Adaptor	2
10	W152	Adaptor	2
11	F114	Bolt	8
12	F119	Washer	8

