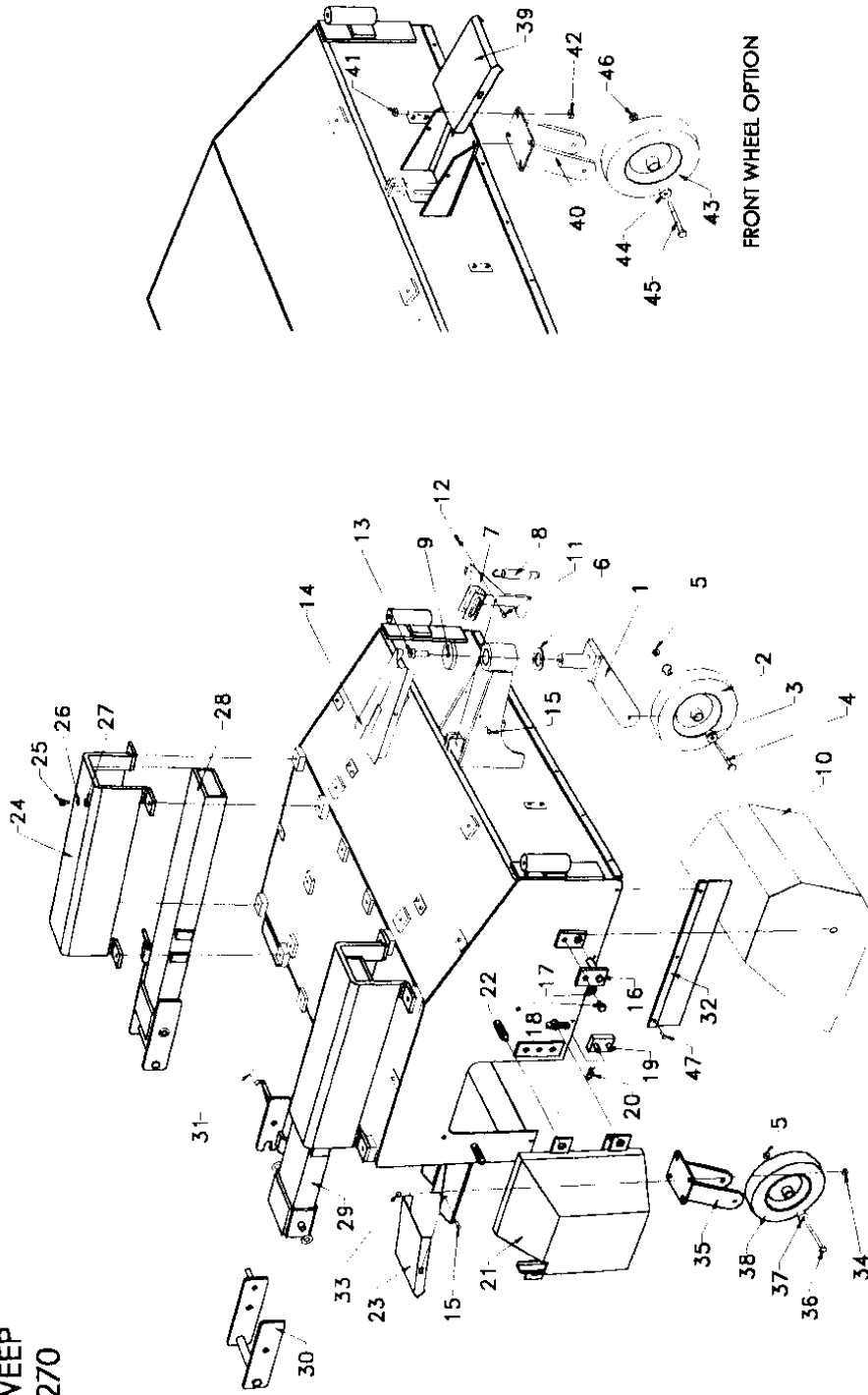


MULTI-SWEEP
MODEL 270



VIEW FROM FRONT

FRONT WHEEL OPTION



MALLOW ROAD ENGINEERING
MALLOW ROAD, DROMCUMMER, KANTURK Co. CORK, IRELAND.
TEL: 00 353 29 58102 FAX: 00 353 29 58201

MAIN BODY - PARTS LISTING (1)

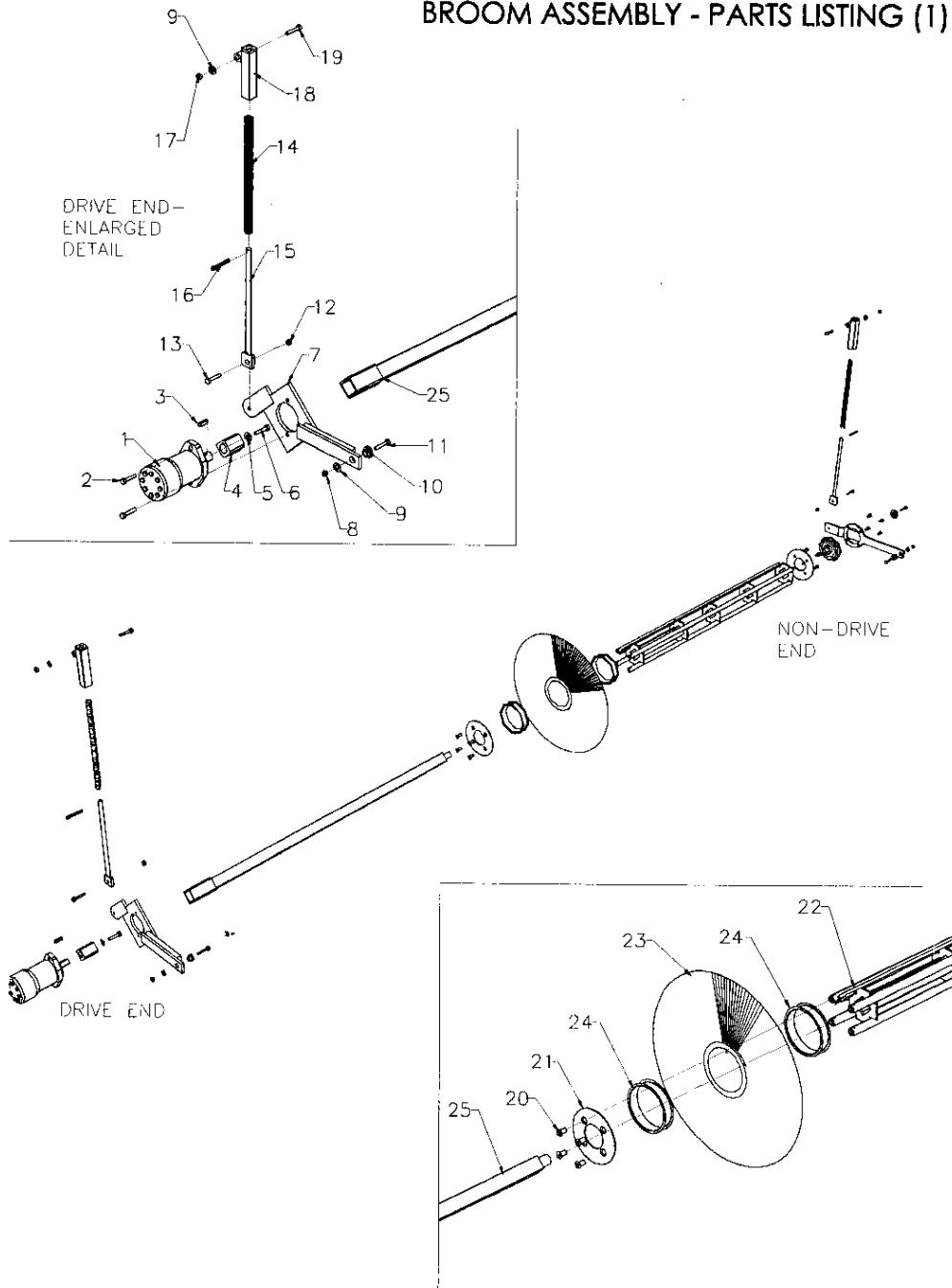
ITEM	PART No.	DESCRIPTION	QTY.
1	V193	KINGPIN	1
2	F142	WHEEL	1
3	F144	BUSH	2
4	F183	BOLT	1
5	F101	NUT	1
6	V181	BRASS WASHER	1
7	V164	TRIP LEVER	1
8	F115	SPRING	1
9	V179	CAP	1
10	V100	DEBRIS CONTAINER	1
11	F104	BOLT	1
12	F116	NUT	1
13	F208	BOLT	1
14	V103	COVER	1
15	F114	BOLT	6
16	V124	HINGE PIN	2
17	F102	BOLT	2
18	F185	WASHER	2
19	V183	STOP BLOCK	2
20	F135	'R' CLIP	4
21	F169	DOOR	1
22	F147	LATCH	3
23	V122	COVER	2
24	V117	HOUSING	2
25	F102	BOLT	8
26	F185	SPRING WASHER	8
27	F132	FLAT WASHER	8
28	V107	FORK HOUSING COMPLETE (LEFT HAND)	1
29	V108	FORK HOUSING COMPLETE (RIGHT HAND)	1
30	V194	LOCK CATCH ASSEMBLY	2
31	F205	SPRING	2
32	B152	DUST APRON	1
33	F105	BOLT	8
34	F107	NUT	8
35	F174	CASTOR	2
36	F127	BOLT	2
37	F143	BUSH	4
38	F164	WHEEL	2

**MULTI-SWEEP
MODEL 270**

**MRE
MULTI SWEEP**

MALLOW ROAD ENGINEERING
MALLOW ROAD, DROMCUMMER, KANTURK Co. CORK, IRELAND.
TEL: 00 353 29 56102 FAX: 00 353 29 56201
email: stores@multisweep.com

BROOM ASSEMBLY - PARTS LISTING (1)



MULTI-SWEEP
MODEL 270



MALLOW ROAD ENGINEERING
MALLOW ROAD, DROMCUMMER, KANTURK Co. CORK, IRELAND
TEL: 00 353 29 56102 FAX: 00 353 29 56201
email: stores@multisweep.com

BROOM ASSEMBLY - PARTS LISTING

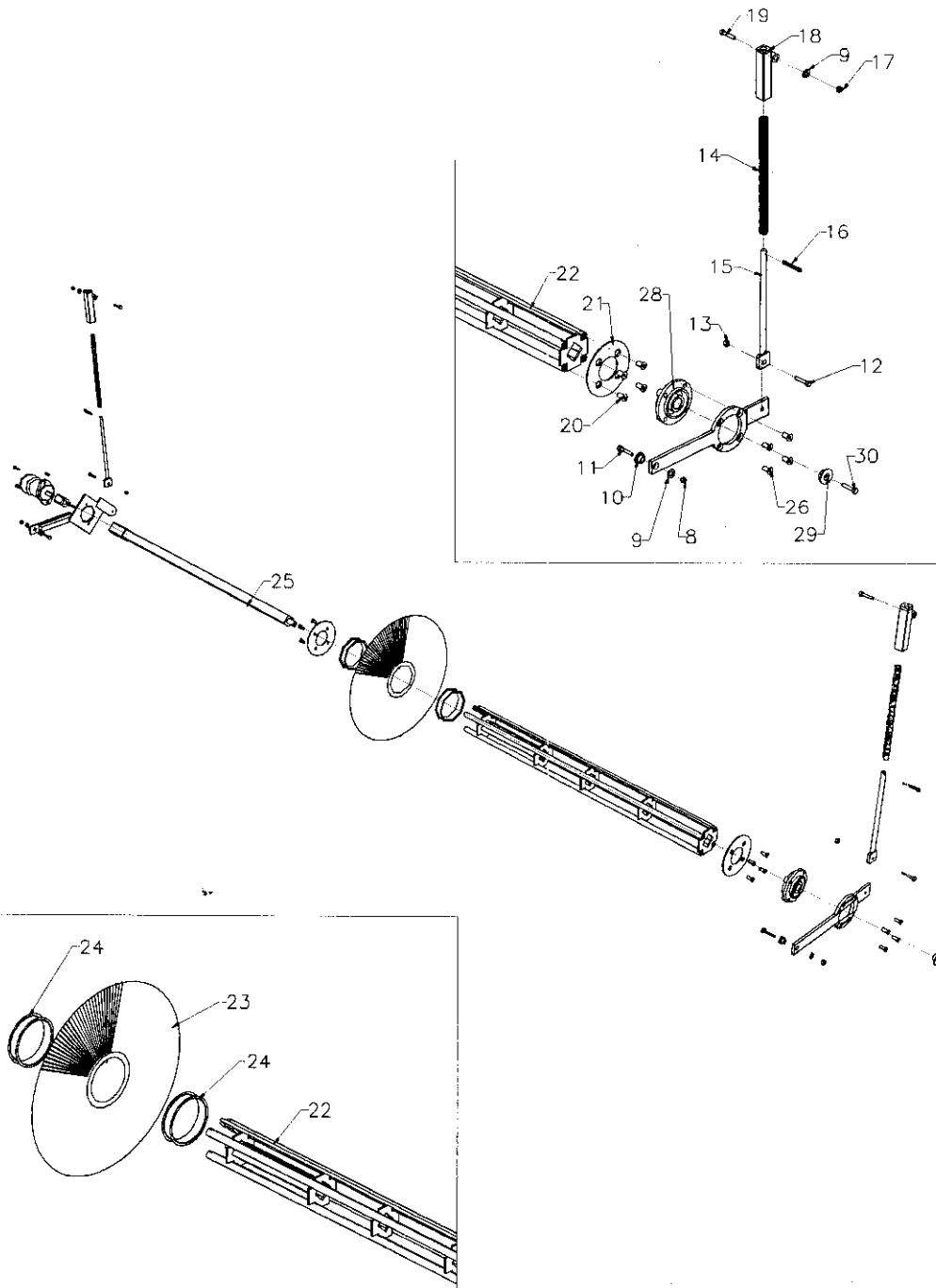
ITEM	PART No.	DESCRIPTION	QTY.
1	H103	MOTOR	1
1A	H103SE	SERVICE EXCHANGE MOTOR	1
1B	H235	SEAL KIT	1
2	F124	BOLT	2
3	H179	SHAFT KEY	1
4	B148	BLOCK COUPLING	1
5	F119	WASHER	1
6	F190	BOLT	1
7	V190	MOTOR ARM	1
8	F101	LOCKNUT	2
9	F132	WASHER	4
10	V116	BUSH	2
11	F103	BOLT	2
12	F101	NUT	2
13	F100	BOLT	2
14	F201	SPRING	2
15	V185	ROD	2
16	B151	SPLIT PIN	2
17	F101	LOCKNUT	2
18	V186	HOUSING	2
19	F202	BOLT	2
20	F160	SCREW	8
21	B122	END PLATE	2
22	B140	BROOM CORE	1
23	B156	POLY / WIRE BROOM SET	1
23A	B155	ALL POLY BROOM SET	1
24	B129	SPACER	50
25	B141	DRIVESHAFT	1
26	F189	BOLT	4
27	V189	BEARING ARM	1
28	F209	BEARING COMPLETE	1
28A	F140	BEARING INSERT	1
29	V191	BUSH	1
30	F160	SCREW	1

**MULTI-SWEEP
MODEL 270**



MALLOW ROAD ENGINEERING
MALLOW ROAD, DRONCUMMER, KANTURK Co., CORK, IRELAND.
TEL: 00 353 29 56102 FAX: 00 353 29 56201
email: stores@multisweep.com

BROOM ASSEMBLY - PARTS LISTING (2)



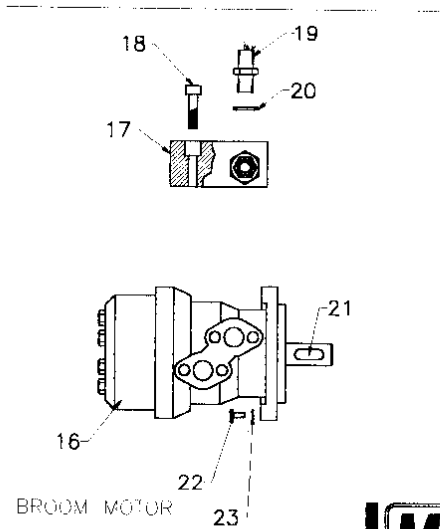
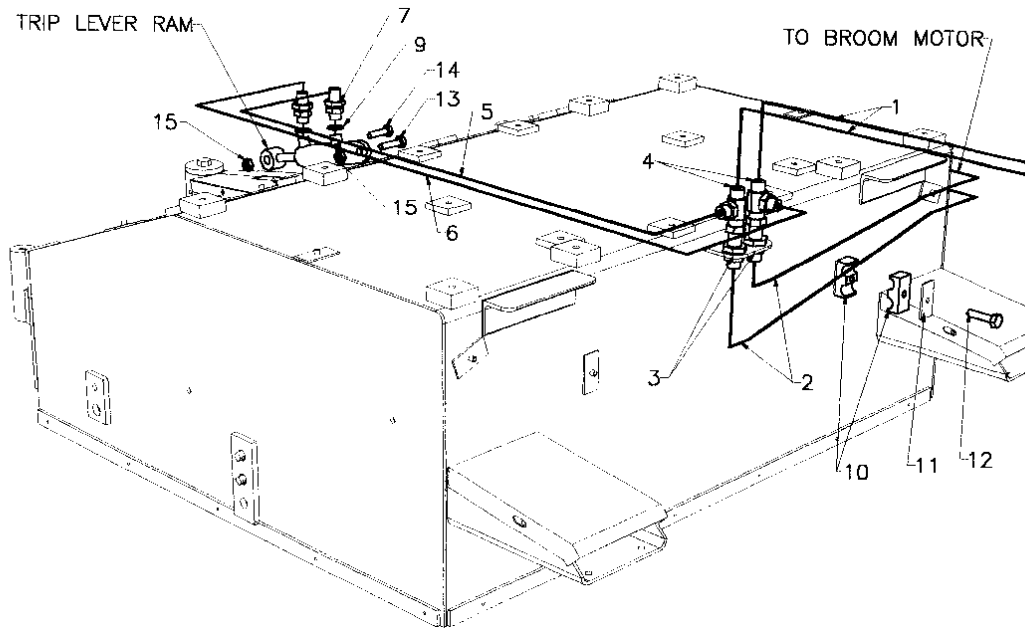
MULTI-SWEEP
MODEL 270



MALLOW ROAD ENGINEERING
MALLOW ROAD, DROMCUMMER, KANTURK Co. CORK, IRELAND.
TEL: 00 353 29 56102 FAX: 00 353 29 56201
email: stores@multisweep.com

MULTI-SWEEP
MODEL 270

DIRECT DRIVE
HYDRAULIC CIRCUIT



MRE
MULTI SWEEP

MALLOW ROAD ENGINEERING
MALLOW ROAD, DROMCHIMMER, KANTURK Co. CORK, IRELAND.
TEL: 00 353 29 56102 FAX: 00 353 29 56201
email: store@multipass.com

DIRECT DRIVE HYDRAULIC CIRCUIT - PARTS LISTING

ITEM	PART No.	DESCRIPTION	QTY.
1	H186	HOSE	2
2	H219	HOSE	2
3	H125	BULKHEAD ADAPTOR	2
4	H116	TEE ADAPTOR	2
5	H193	HOSE (SHORT)	1
6	H195	HOSE (LONG)	1
7	H123	STRAIGHT ADAPTOR	2
8	H100	CYLINDER	1
	H107	SEAL KIT -- CYLINDER	1
9	H108	BONDED SEAL	2
10	H110	HOSECLAMP SET	2
11	H115	TOP PLATE	2
12	F126	BOLT	2
13	F103	BOLT	1
14	F176	BOLT	1
15	F101	NUT	2
16	H103	MOTOR	1
	H235	SEAL KIT-MOTOR	1
17	H140	RELIEF VALVE	1
18	F163	BOLT	4
19	H127	ADAPTOR	2
20	H111	BONDED SEAL	2
21	H179	SHAFT KEY	1
22	F124	BOLT	2
23	F185	WASHER	2

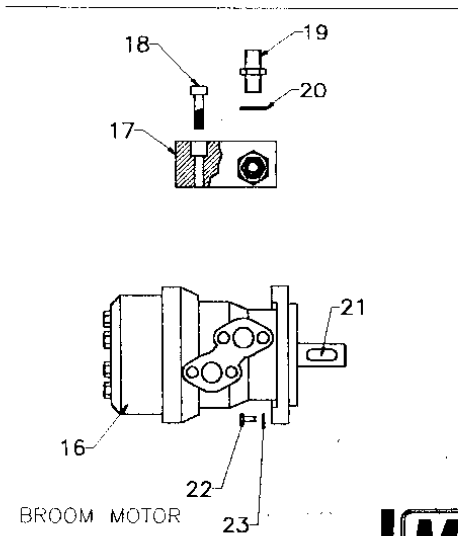
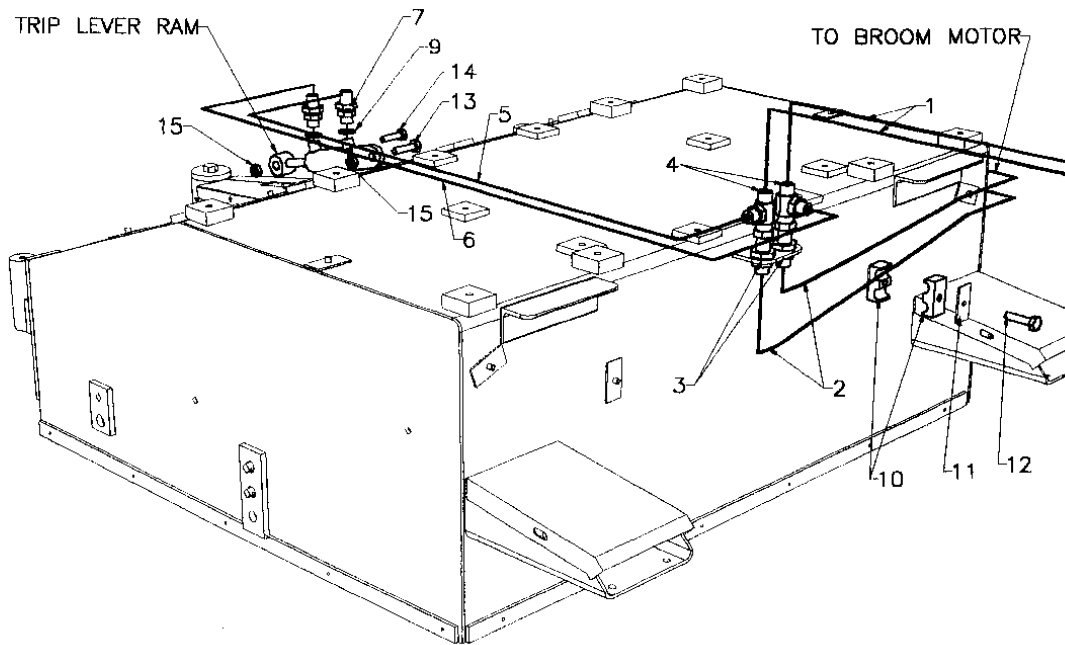
**MULTI-SWEEP
MODEL 270**

**MRE
MULTI SWEEP**

MALLOW ROAD ENGINEERING
MALLOW ROAD, DROMCUMMER, KANTURK Co. CORK, IRELAND.
TEL: 00 353 29 58102 FAX: 00 353 29 06201
email: store@multisweep.com

MULTI-SWEEP
MODEL 270

DIRECT DRIVE
HYDRAULIC CIRCUIT



MALLOW ROAD ENGINEERING
MALLOW ROAD, DROMCUMMER, KANTURK Co. CORK, IRELAND.
TEL: 00 353 29 58102 FAX: 00 353 29 58201
email: stome@multisweep.com

POWER PACK HYDRAULIC CIRCUIT - PARTS LISTING

ITEM	PART No.	DESCRIPTION	QTY.
1	H197	SUCTION HOSE	1
2	H106	ADAPTOR	1
3	H111	BONDED SEAL	7
5	H126	MALE-FEMALE ADAPTOR	1
6	H124	TEE ADAPTOR	1
7	H196	HOSE	1
8	H127	STRAIGHT ADAPTOR	1
10	H132	BALL VALVE	1
11	H126	MALE-FEMALE ADAPTOR	1
12	H124	TEE ADAPTOR	1
13	H126	MALE-FEMALE ADAPTOR	1
14	H195	HOSE	1
15	H194	HOSE	1
16	H219	HOSE	2
17	H125	BULKHEAD ADAPTOR	2
18	H110	HOSECLAMP SET	2
19	H115	TOP PLATE	2
20	F126	BOLT	2
21	H103	MOTOR	1
	H235	SEAL KIT-MOTOR	1
22	H140	RELIEF VALVE	1
23	F163	BOLT	4
24	H127	ADAPTOR	2
25	H111	BONDED SEAL	2
26	H179	SHAFT KEY	1
27	F124	BOLT	2
28	F185	WASHER	2

**MULTI-SWEEP
MODEL 270**

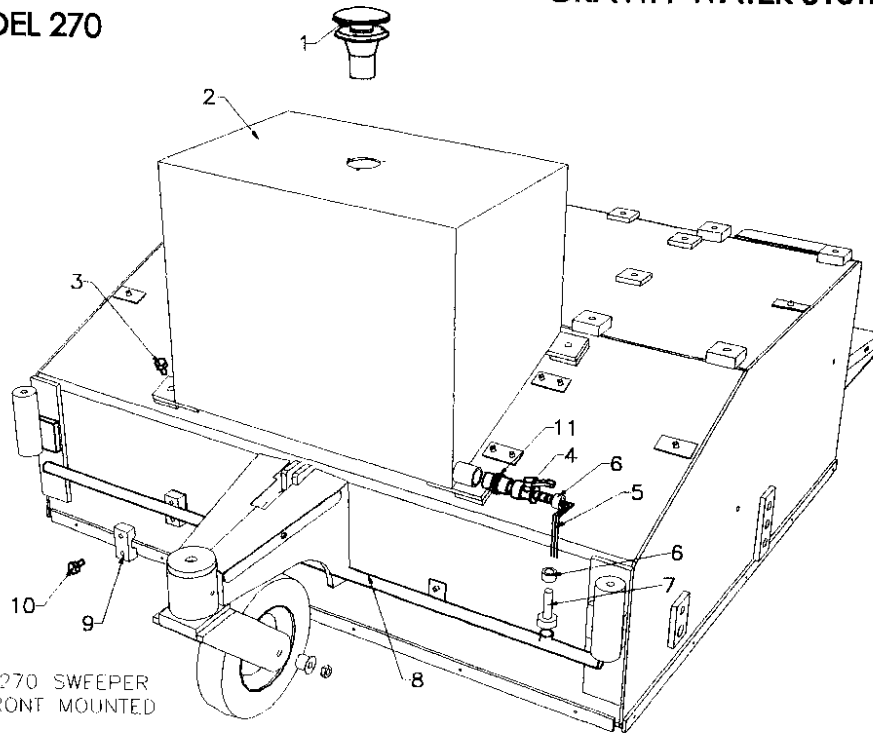
**MRE
MULTI SWEEP**

MALLOW ROAD ENGINEERING
MALLOW ROAD, DROMCUMMER, KANTURK Co. CORK, IRELAND.
TEL: 00 353 28 56102 FAX: 00 353 28 56201
email: store@multisweep.com

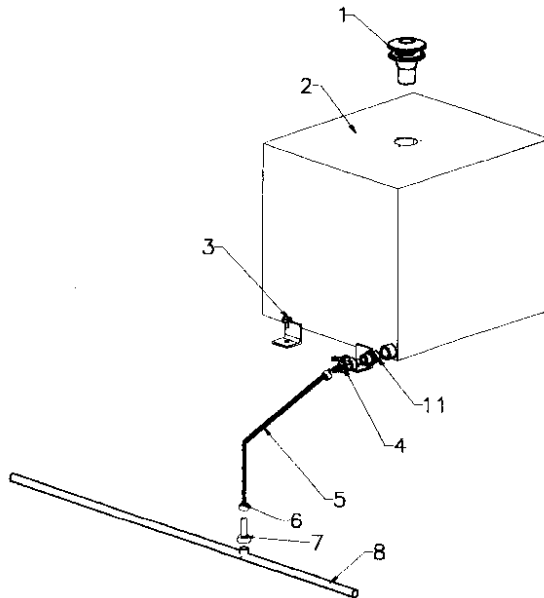
2

MULTI-SWEEP MODEL 270

GRAVITY WATER SYSTEM



MODEL 270 SWEEPER
WITH FRONT MOUNTED
TANK



MODEL 270 SWEEPER
WITH TOP MOUNTED
TANK



MALLOW ROAD ENGINEERING
 MALLOW ROAD, DROMCLUMMER, KANTURK Co. CORK, IRELAND.
 TEL: 00 353 29 56102 FAX: 00 353 29 56201
 email: stores@multisweep.com

GRAVITY WATER SYSTEM - PARTS LISTING

FRONT MOUNTED TANK

ITEM	PART No.	DESCRIPTION	QTY.
1	W127	FILLER CAP ASSEMBLY	1
2	W150	TANK	1
3	F117	BOLT	4
4	W145	BALL VALVE	1
5	W121	HOSE	1
6	W111	O-CLIP	2
7	W102	HOSE TAIL	1
8	W148	SPRAYBAR	1
9	H228	CLAMP SET	2
10	F168	BOLT	4
11	W152	ADAPTOR	1

TOP MOUNTED TANK

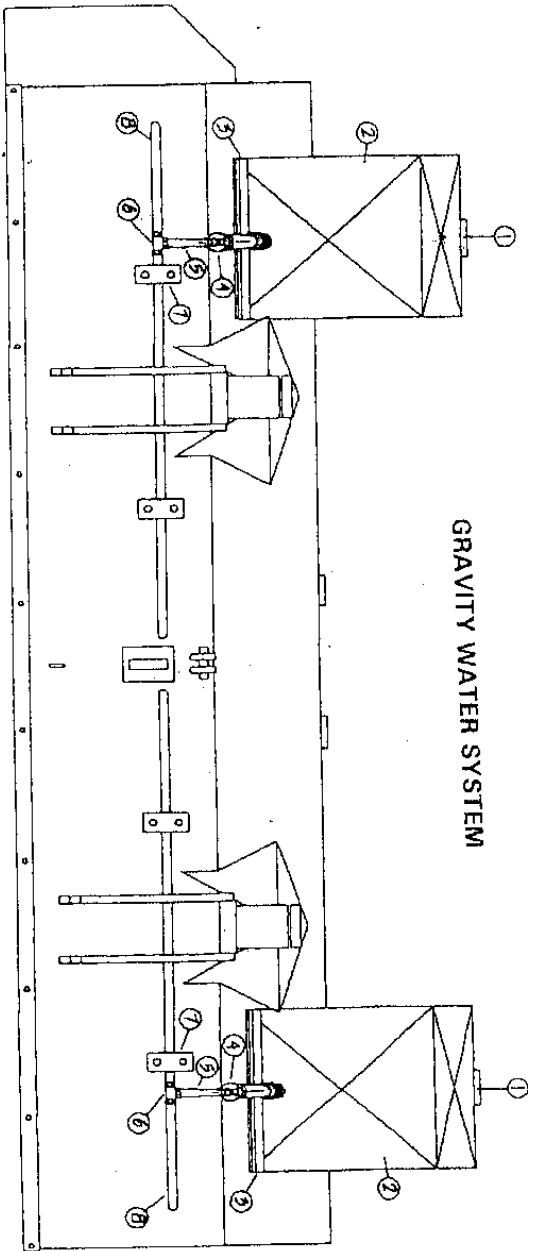
ITEM	PART No.	DESCRIPTION	QTY.
1	W127	FILLER CAP ASSEMBLY	1
2	W157	TANK	1
3	F117	BOLT	4
4	W145	BALL VALVE	1
5	W108	HOSE	1
6	W111	O-CLIP	2
7	W102	HOSE TAIL	1
8	W148	SPRAYBAR	1
9	H228	CLAMP SET	2
10	F168	BOLT	4
11	W152	ADAPTOR	1

**MULTI-SWEEP
MODEL 270**

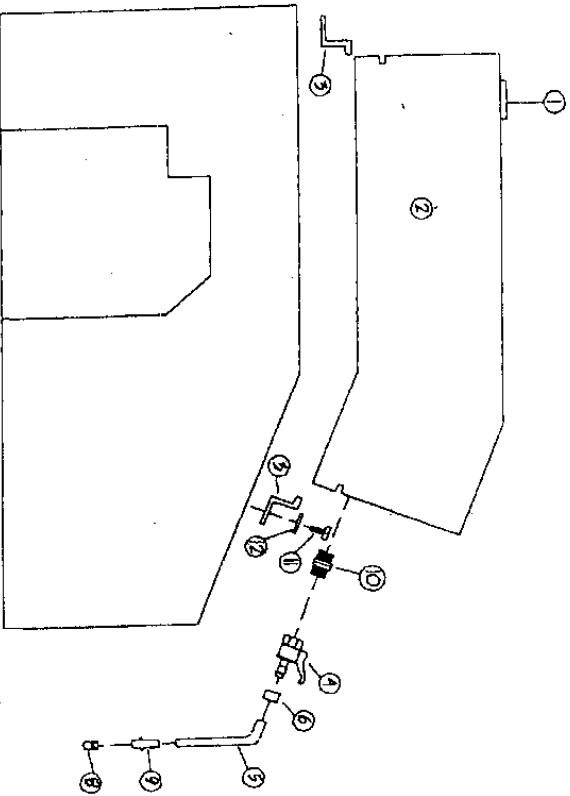


MALLOW ROAD ENGINEERING
MALLOW ROAD, DRUMCLINNER, KANTURK Co. CORK, IRELAND.
TEL: 00 353 28 56102 FAX: 00 353 28 56201
email: stores@multisweep.com

GRAVITY WATER SYSTEM



Item	Part Number	Description	Quantity
1	W127	Filler Cap	2
2	W100	Water Tank	2
3	W113	Bracket	4
4	W145	Ball Valve	2
5	W123	Hose	2
6	W111	Pipe Clip	4
7	H228	Clamp Assy.	4
8	W146	Spraybar	2
9	W102	Hosetail Adaptor	2
10	W152	Adaptor	2
11	F114	Bolt	8
12	F119	Washer	8



SIDE CURB BRUSH

ITEM	PART NO.	DESCRIPTION	QTY.
1	B100	CURB BRUSH - POLY/WIRE MIX	1
1A	B100A	CURB BRUSH - ALL POLY	1
1B	B100C	CURB BRUSH - ALL WIRE	1
2	F116	LOCKNUT	3
3	F153	FLATWASHER	3
4	F121	SPRING WASHER	1
5	F118	BOLT	3
6	B131	BRUSH MOUNT DISC	1
7	F112	CENTRE BOLT - ONTO MOTOR	1
8	F220	FLAT WASHER	1
9	F101	NUT	2
10A	B132	MOTOR MOUNT ARM - L/H	1
10B	B119	MOTOR MOUNT ARM - R/H	1
11	H103	MOTOR	1
11A	H235	SEAL KIT - MOTOR	1
12	F103	BOLT	2
13	F211	ADJUSTER NUT	1
14	F114	NUT	2
15	F119	FLAT WASHER	2
16	F146	BOLT	2
17	B133	HINGE SOCKET - L/H	1
18	V213	PIN	1
19	V214	LYNCH PIN	1
20	F222	BOLT	1
21	B134	MOUNT SECTION - L/H	1
22	V111	RETAINING CAP	1
23	F100	BOLT	1
25	B136	HINGE SOCKET - R/H	1
26	F102	BOLT - FOR RETAINING CAP	1
27	F185	SPRING WASHER	1
28	F132	FLAT WASHER	1
29	F216	GREASE NIPPLE	1
30	B137	MOUNT SECTION - R/H	1
31	H179	SHAFT KEY (ON MOTOR DRIVE)	1

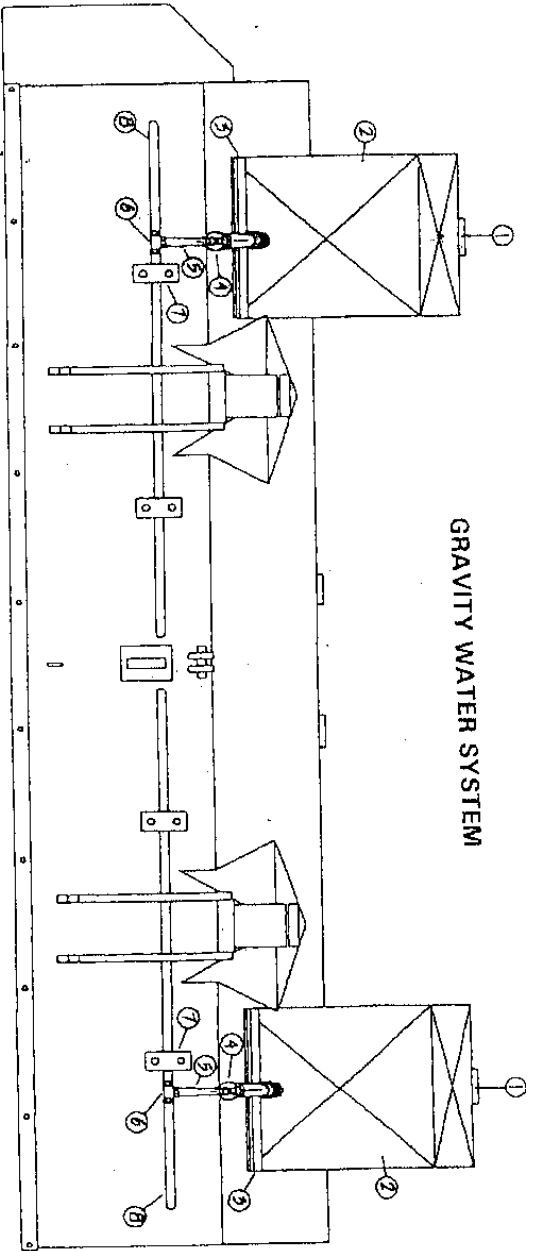
MULTI-SWEEP

425

MRE
MULTI SWEEP

MALLOW ROAD ENGINEERING
MALLOW ROAD, DROMCUMMER, KANTURK Co. CORK, IRELAND.
TEL: 00 353 28 56102 FAX: 00 353 28 56201
email: etores@multisweep.com

GRAVITY WATER SYSTEM



Item	Part Number	Description	Quantity
1	W127	Filler Cap	2
2	W100	Water Tank	2
3	W113	Bracket	4
4	W145	Ball Valve	2
5	W123	Hose	2
6	W111	Pipe Clip	4
7	H228	Clamp Assy.	4
8	W146	Spraybar	2
9	W102	Hosetail Adaptor	2
10	W152	Adaptor	2
11	F114	Bolt	8
12	F119	Washer	8

