

MULTI-SWEEP

MRE
MULTI SWEEP

MALLOW ROAD ENGINEERING
 MALLOW ROAD, DRONCLUMMER, KANTURK Co. CORK, IRELAND.
 TEL: 00 353 29 58102 FAX: 00 353 29 58201
 email: store@maltisweep.com

900 MAIN BODY – PARTS LISTING

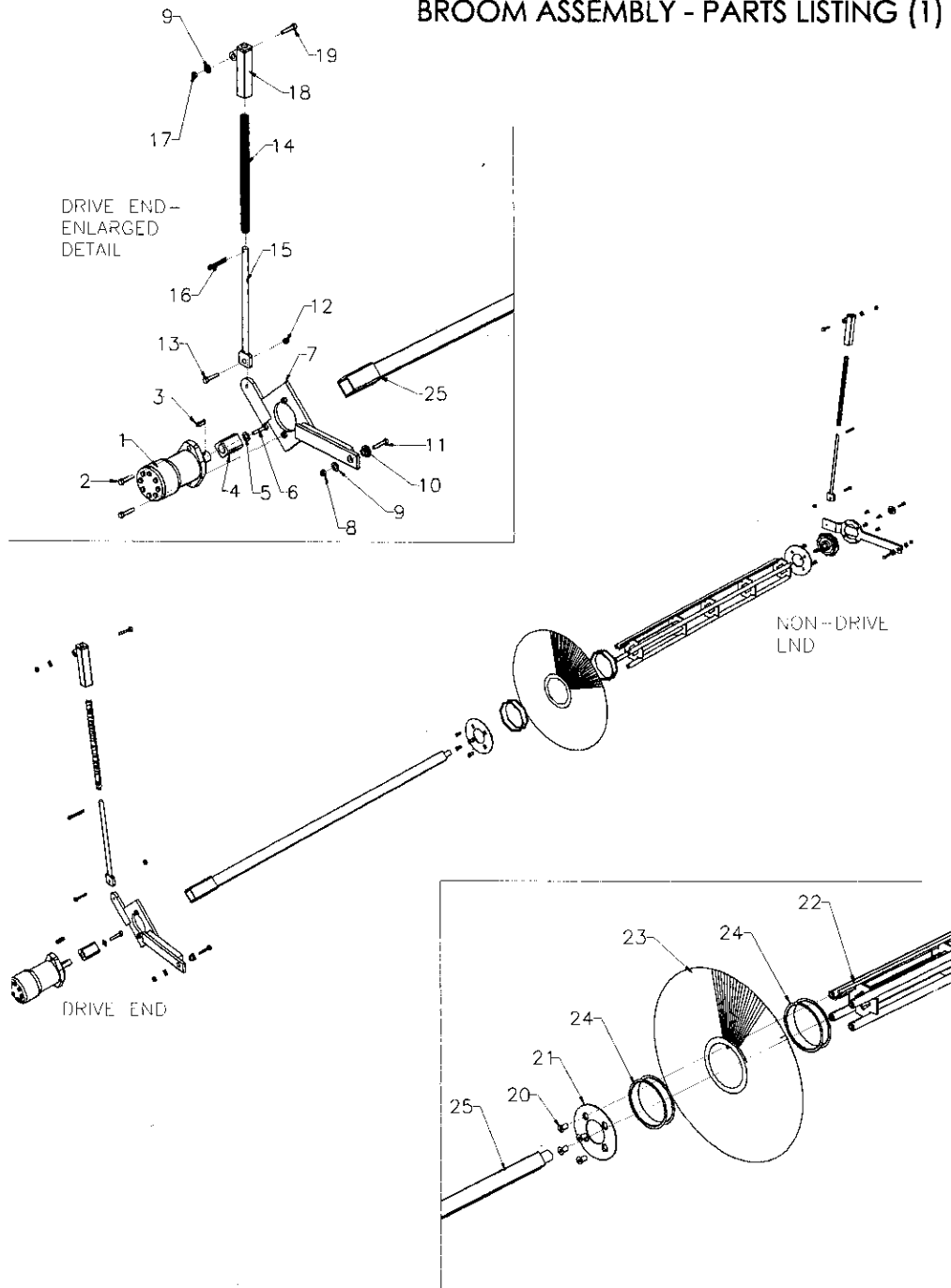
ITEM	PART No.	DESCRIPTION	QTY.
1	V206	FRONT KINGPIN	2
2	F197	FRONT WHEEL - PNEUMATIC	2
2A	F222	FRONT WHEEL – SOLID (OPTION)	2
3	F223	REDUCTION BUSH, FRONT	4
4	F217	AXLE BOLT, FRONT	2
5	F203	NUT	4
6	V207	BRASS WASHER	2
7	V143	TRIP LEVER	1
8	F115	RETURN SPRING	1
9	V208	CAP - KINGPIN	2
10	V197	DEBRIS COLLECTOR	1
11	F103	BOLT	2
12	F101	NUT	1
13	F208	BOLT	2
14	V148	COVER	1
15	F114	BOLT	4
16	V134	HINGE PIN	2
17	F102	BOLT (FIT WITH STUDLOCK)	2
18	F185	WASHER	2
19	V183	STOP BLOCK	2
20	F135	R - CLIP	4
21	F169	SIDE DOOR R/H/S	1
22	F147	DOOR LATCH	3
23	V209	REAR KINGPIN	2
24	V179	CAP - KINGPIN	2
25	F210	REAR WHEEL - PNEUMATIC	2
25A	F220	REAR WHEEL – SOLID (OPTION)	2
26	V181	BRASS WASHER	2
27	B135	DUST APRON - COMPLETE DIAMETER	1
28	F114	BOLT – DUST APRON FASTENING	55
29	V145	LINK LEVER – HYD. CYLINDER	2
30	H100	HYDRAULIC CYLINDER	1
30A	H107	SEAL KIT - CYLINDER	1
31	F224	AXLE BOLT - REAR	2
32	V210	FORK POCKET COMPLETE – LEFT SIDE	1
33	V211	FORK POCKET COMPLETE – RIGHT SIDE	1
34	F216	GREASE NIPPLE	4
35	V150	PIN – POCKET RETAINER	2
36	V167	R – CLIP	2
37	F205	SPRING	2
38	V212	LOCK LEVER ASSEMBLY	2

MULTI-SWEEP

**MRE
MULTI SWEEP**

MALLOW ROAD ENGINEERING
MALLOW ROAD, DROMCLUMMER, KANTURK Co. CORK, IRELAND.
TEL: 00 353 29 58102 FAX: 00 353 29 58201
email: stores@multisweep.com

BROOM ASSEMBLY - PARTS LISTING (1)

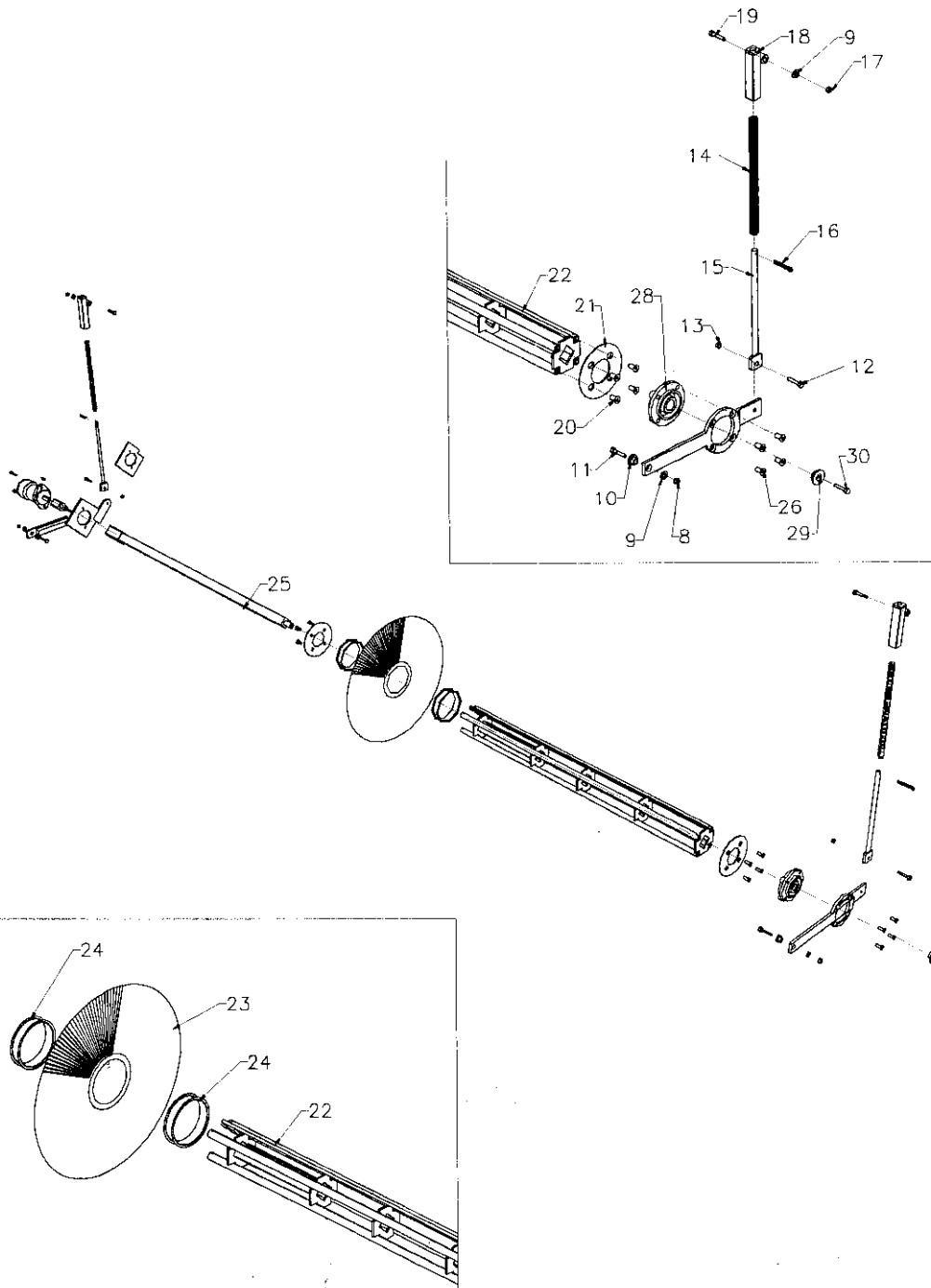


MULTI-SWEEP
MODEL 900



MALLOW ROAD ENGINEERING
MALLOW ROAD, DRONCUMMER, KANTURK Co., CORK, IRELAND.
TEL: 00 353 29 56102 FAX: 00 353 29 56201
email: stores@multisweep.com

BROOM ASSEMBLY - PARTS LISTING (2)



MULTI-SWEEP
MODEL 900



MALLOW ROAD ENGINEERING
MALLOW ROAD, DROMCUMMER, KANTURK Co. CORK, IRELAND.
TEL: 00 353 29 56102 FAX: 00 353 29 56201
email: stores@multisweep.com

BROOM ASSEMBLY - PARTS LISTING

ITEM	PART No.	DESCRIPTION	QTY.
1	H103	MOTOR	1
1A	H103SE	SERVICE EXCHANGE MOTOR	1
1B	H235	SEAL KIT	1
2	F124	BOLT	2
3	H179	SHAFT KEY	1
4	B148	BLOCK COUPLING	1
5	F119	WASHER	1
6	F190	BOLT	1
7	V188	MOTOR ARM	1
8	F101	LOCKNUT	2
9	F132	WASHER	4
10	V116	BUSH	2
11	F103	BOLT	2
12	F101	NUT	2
13	F100	BOLT	2
14	F201	SPRING	2
15	V185	ROD	2
16	B151	SPLIT PIN	2
17	F101	LOCKNUT	2
18	V186	HOUSING	2
19	F202	BOLT	2
20	F160	SCREW	8
21	B122	END PLATE	2
22	B158	BROOM CORE	1
23	B160	POLY / WIRE BROOM SET	1
23A	B161	ALL POLY BROOM SET	1
24	B129	SPACER	62
25	B159	DRIVESHAFT	1
26	F189	BOLT	4
27	V187	BEARING ARM	1
28	F209	BEARING COMPLETE	1
28A	F140	BEARING INSERT	1
29	V191	BUSH	1
30	F160	SCREW	1

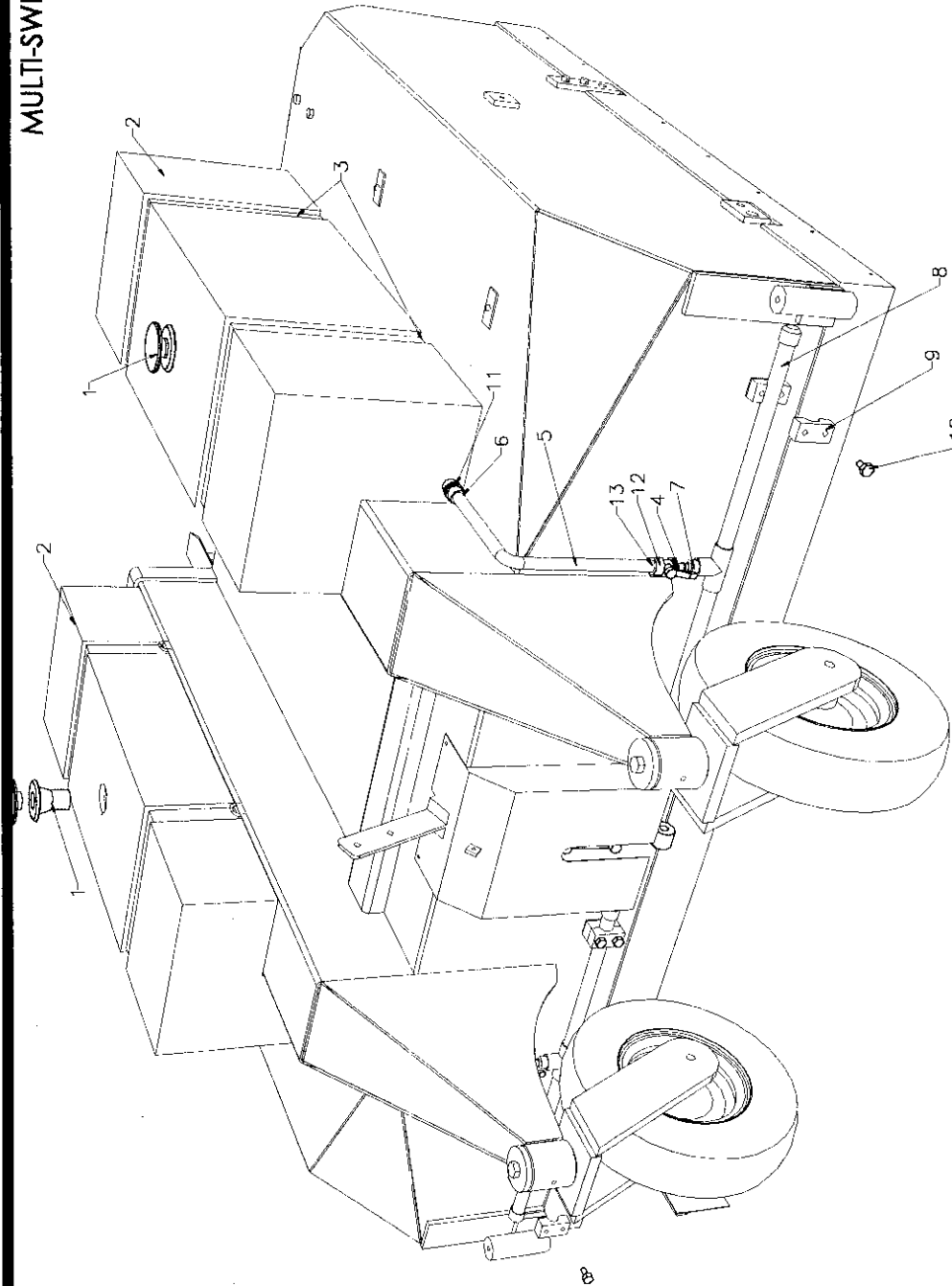
**MULTI-SWEEP
MODEL 900**



MALLOW ROAD ENGINEERING
MALLOW ROAD, DRONCUMMER, KANTURK Co. CORK, IRELAND.
TEL: 00 353 29 56102 FAX: 00 353 29 56201
email: stores@multisweep.com

MULTI-SWEEP

GRAVITY WATER SYSTEM



MRE
MULTI SWEEP

MALLOW ROAD ENGINEERING
MALLOW ROAD, DROMCUMMER, KANTURK Co. CORK, IRELAND.
TEL: 00 353 29 56102 FAX: 00 353 29 56201
email: stores@multisweep.com

900 GRAVITY WATER SYSTEM

ITEM	PART NO.	DESCRIPTION	QTY.
1	W127	FILLER CAP COMPLETE	2
2	W101	WATER TANK	2
3	M108	SECURING STRAP	4
4	W145	BALL VALVE - PVC	2
5	W142	FLEXIBLE HOSE - AS REQUIRED	
6	W105	RED CLAMP SET (HOSE TO ADAPTOR)	2
7	W152	THREADED ADAPTOR	2
8	W159	SPRAYBAR	2
9	H228	CLAMP SET (BOTH HALVES)	4
10	F168	BOLT	8
11	W125	TANK ADAPTOR	2
12	W111	O-CLIP (CRIMPS HOSE TO TAP)	2

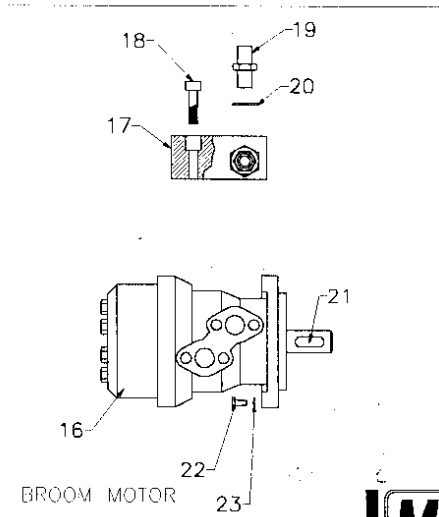
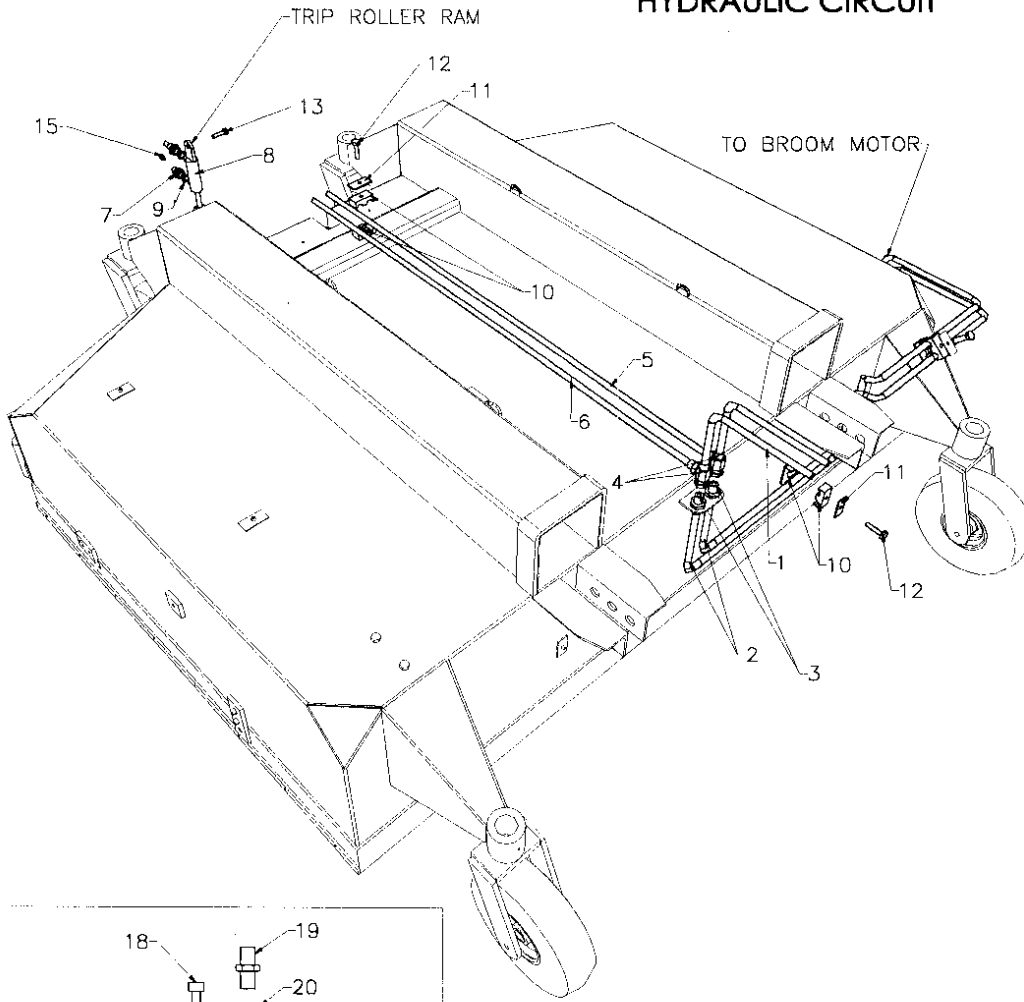
MULTI-SWEEP

MRE
MULTI SWEEP

MALLOW ROAD ENGINEERING
MALLOW ROAD, DROMCUMMER, KANTURK Co. CORK, IRELAND.
TEL: 00 353 29 58102 FAX: 00 353 29 58201
email: stores@multi-sweep.com

MULTI-SWEEP

DIRECT DRIVE HYDRAULIC CIRCUIT



MALLOW ROAD ENGINEERING
MALLOW ROAD, DROMCUMMER, KANTURK Co. CORK, IRELAND.
TEL: 00 353 29 56102 FAX: 00 353 29 56201
email: stores@multisweep.com

900 WETLINE HYDRAULIC CIRCUIT

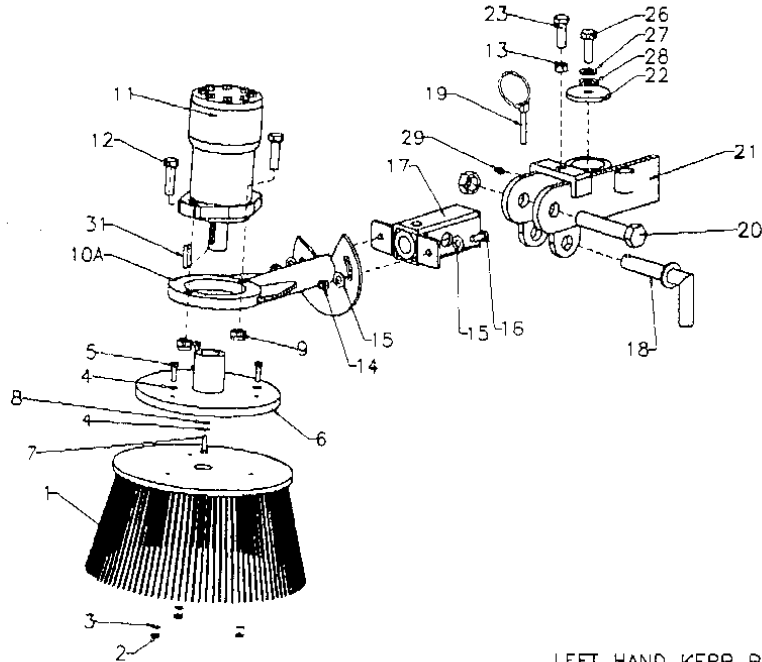
ITEM	PART NO.	DESCRIPTION	QTY.
1	H186	HYDRAULIC HOSE - TO FORKLIFT	2
2	H188	HYDRAULIC HOSE	2
3	H125	BULKHEAD ADAPTOR - (ONTO BODY)	2
4	H116	TEE ADAPTOR	2
5	H202	HYDRAULIC HOSE	2
6	H202	HYDRAULIC HOSE	2
7	H123	ADAPTOR - TO CYLINDER	2
8	H100	CYLINDER	1
8A	H107	SEAL KIT - CYLINDER	1
9	H108	BONDED SEAL - FOR ADAPTOR	2
10	H110	HOSECLAMP SET	3
11	H115	TOP PLATE (FOR HOSECLAMP)	3
12	F126	BOLT (FOR HOSECLAMP)	3
13	F103	BOLT - UPPER TRIP LEVER LINKAGE	1
14	F183	BOLT - LOWER TRIP LEVER LINKAGE	1
15	F101	NUT (FOR FOR F103 + F183)	2
16	H103	BROOM MOTOR	1
16A	H235	SEAL KIT - MOTOR	1
17	H140	RELIEF VALVE	1
18	F163	BOLT	4
19	H127	ADAPTOR - HOSE TO VALVE	2
20	H111	BONDED SEAL - FOR ADAPTOR	2
21	H179	SHAFT KEY	1
22	F124	BOLT (FIT WITH STUDLOCK)	2
23	F185	WASHER	2

MULTI-SWEEP

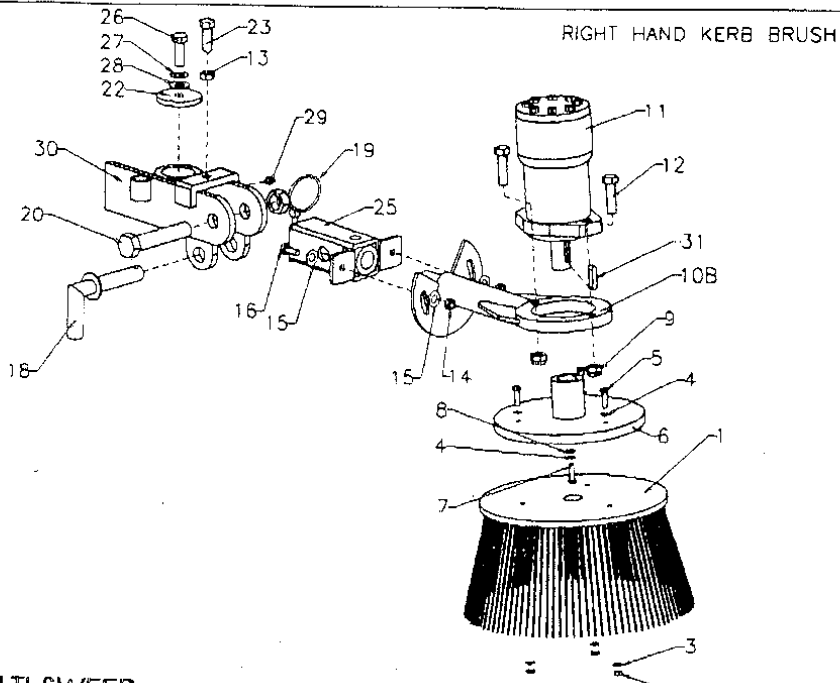
MRE
MULTI SWEEP

MALLOW ROAD ENGINEERING
MALLOW ROAD, DROMCUMMER, KANTURK Co. CORK, IRELAND.
TEL: 00 353 29 56102 FAX: 00 353 29 56201
email: stores@multisweep.com

KERB BRUSH - PARTS LISTING



LEFT HAND KERB BRUSH



RIGHT HAND KERB BRUSH

MULTI-SWEEP



MALLOW ROAD ENGINEERING
 MALLOW ROAD, DRONCUMNER, KANTURK Co. CORK, IRELAND.
 TEL: 00 353 29 56102 FAX: 00 353 29 56201
 email: store@maltisweep.com

900 SIDE CURB BRUSH

ITEM	PART NO.	DESCRIPTION	QTY.
1	B100	CURB BRUSH - POLY/WIRE MIX	1
1A	B100A	CURB BRUSH - ALL POLY	1
1B	B100C	CURB BRUSH - ALL WIRE	1
2	F116	LOCKNUT	3
3	F153	FLATWASHER	3
4	F121	SPRING WASHER	1
5	F118	BOLT	3
6	B131	BRUSH MOUNT DISC	1
7	F112	CENTRE BOLT - ONTO MOTOR	1
8	F220	FLAT WASHER	1
9	F101	NUT	2
10A	B132	MOTOR MOUNT ARM - L/H	1
10B	B119	MOTOR MOUNT ARM - R/H	1
11	H103	MOTOR	1
11A	H235	SEAL KIT - MOTOR	1
12	F103	BOLT	2
13	F211	ADJUSTER NUT	1
14	F114	NUT	2
15	F119	FLAT WASHER	2
16	F146	BOLT	2
17	B133	HINGE SOCKET - L/H	1
18	V213	PIN	1
19	V214	LYNCH PIN	1
20	F222	BOLT	1
21	B134	MOUNT SECTION - L/H	1
22	V111	RETAINING CAP	1
23	F100	BOLT	1
25	B136	HINGE SOCKET - R/H	1
26	F102	BOLT - FOR RETAINING CAP	1
27	F185	SPRING WASHER	1
28	F132	FLAT WASHER	1
29	F216	GREASE NIPPLE	1
30	B137	MOUNT SECTION - R/H	1
31	H179	SHAFT KEY (ON MOTOR DRIVE)	1

MULTI-SWEEP

MRE
MULTI SWEEP

MALLOW ROAD ENGINEERING
MALLOW ROAD, DROMCUMMER, KANTURK Co. CORK, IRELAND.
TEL: 00 353 29 58102 FAX: 00 353 29 56201
email: store@multisweep.com