

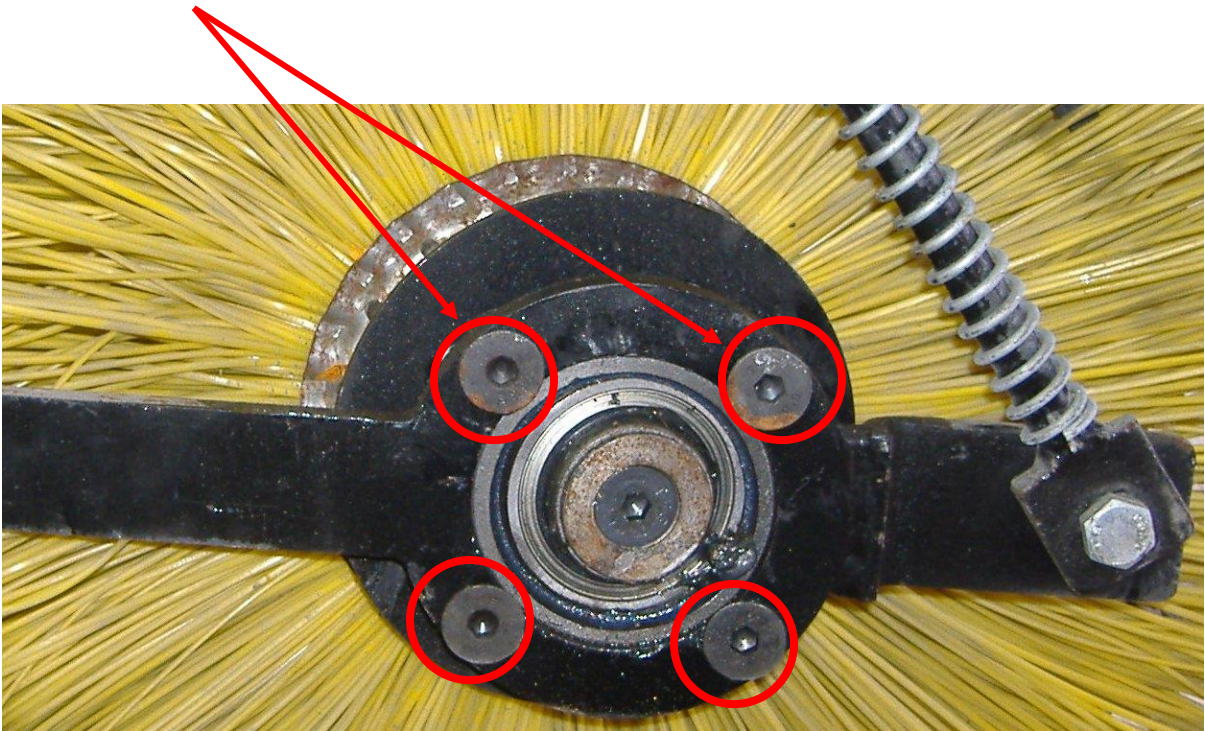
Instruction to change a Bearing in a MultiSweep

- 1: Once broom has been dropped out of the sweeper (see changing broom instructions) inspect the bearing (F209).
- 2: To remove the bearing (F209) first un-tighten both grub screws on the shaft of the bearing.



- 3: Next unbolt the counter sunk bolt (F160) and remove the end bushing (V191).
- 4: Slide bearing (F209) and bearing arm (V187) off the drive shaft (B159).

5: Once removed from the drive shaft (B159), unbolt the four counter sunk bolts (F189) on the bearing arm (V187).



6: Fit new bearing (F209) with the same orientation as the old bearing, this will ensure ease of access to the grease nipple from underneath the sweeper.

7: Tighten all four counter sunk bolts (F189) on the bearing arm (V187).

8: Grease the bearing (F209) fully before installing onto the driveshaft (B159).

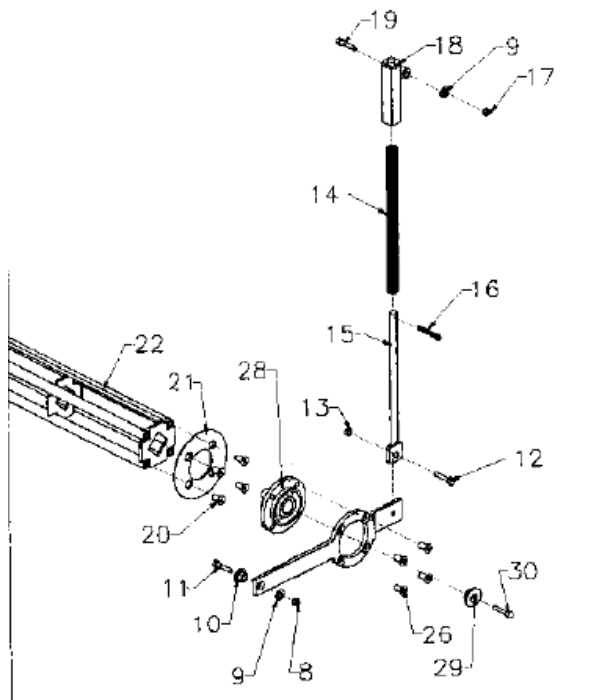
9: Slide the bearing (F209) and bearing arm (V187) back onto the shaft (B159). (Tip – grease the driveshaft also to make this job easier)

10: Re-fit the end bushing (V191) and tighten the counter sunk bolt (F160).

11: Ensure to tighten both grub screws before fitting broom back into the sweeper.

Please consult supplier if you experience any difficulties.

Note: Please keep all nuts, bolts, washers and bushings as they not supplied unless ordered.



BROOM ASSEMBLY - PARTS LISTING

ITEM	PART No.	DESCRIPTION	QTY.
1	H103	MOTOR	1
1A	H103SE	SERVICE EXCHANGE MOTOR	1
1B	H235	SEAL KIT	1
2	F124	BOLT	2
3	H179	SHAFT KEY	1
4	B148	BLOCK COUPLING	1
5	F119	WASHER	1
6	F190	BOLT	1
7	V188	MOTOR ARM	1
8	F101	LOCKNUT	2
9	F132	WASHER	4
10	V116	BUSH	2
11	F103	BOLT	2
12	F101	NUT	2
13	F100	BOLT	2
14	F201	SPRING	2
15	V185	ROD	2
16	B151	SPLIT PIN	2
17	F101	LOCKNUT	2
18	V186	HOUSING	2
19	F202	BOLT	2
20	F160	SCREW	8
21	B122	END PLATE	2
22	B158	BROOM CORE	1
23	B160	POLY / WIRE BROOM SET	1
23A	B161	ALL POLY BROOM SET	1
24	B129	SPACER	62
25	B159	DRIVESHAFT	1
26	F189	BOLT	4
27	V187	BEARING ARM	1
28	F209	BEARING COMPLETE	1
28A	F140	BEARING INSERT	1
29	V191	BUSH	1
30	F160	SCREW	1